

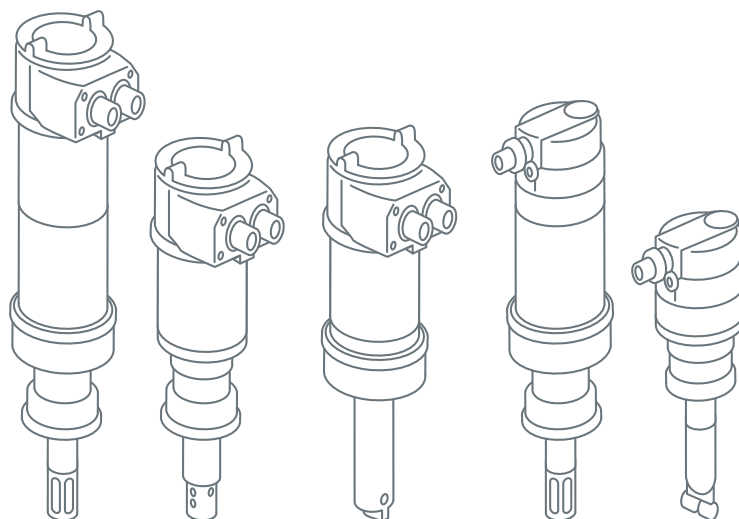


**bürkert**  
FLUID CONTROL SYSTEMS

# Analytical Meters

Types 8202, 8222, 8228

ELEMENT and ELEMENT neutrino





# Analytical Meters

## Product Features and Resulting Advantages

### Modular system

allows the selection of the device with only the required functionality, such as I/O, display and fittings as required by the given application. This allows reduced costs based on the actual features needed.

### Concise and transparent software structure

Simple adjustments shorten start-up time and lower installation costs.

### Status monitoring of the analytical meters

allows to achieve a high degree of process reliability and reproducibility of batch quality.

### A great range of fittings

is available for optimal selection of components at a suitable price.

### Very simple exchange of analytical meter

minimizes workload and downtimes and saves maintenance costs.

### Variable electrical connection for pH/ORP sensors

Most pH/ORP sensors on the market with 120 mm (Ø 12 mm) and S7 connections can be used; the user

can select his preferred probe, however using the same analytical meter, which reduces the number of different devices in use and the effort for device management.

### The integrated temperature sensor

allows both – compensation of the process value (pH/ORP or conductivity) and a measurement value as a second process variable, in one device. The purchase of a separate temperature sensor is not necessary.

### Possibility of selecting 3 cell constants (0.01, 01 or 1) for conductive conductivity measurements

provides more freedom for exchanging analytical meter and optimization of processes. This reduces device management costs, as a single analytical meter type can be used regardless of the selected cell. Warehousing costs are saved due to reduction of spare parts diversity.

### The choice of different materials (PVDF, PEEK, PP)

allows the customer to adjust easily the analytical meter for measuring of inductive conductivity to each application.



# ELEMENT neutrino analytical meters

## Features

The ELEMENT neutrino analytical meters for measuring pH, ORP or conductive conductivity are blind devices with a lower total height. They are suitable for applications which require an analogue output (4-20 mA).

Significant characteristics of these transmitters are:

- Changing the measurement method pH or ORP by pressing a key
- Operating access with key and multi point rotary switch
- LED as status indicator for calibration operations and device status related to alarms and warnings
- Measurement range switching with 16 point rotary switch and ranges being allocated to it
- Calibration for pH and ORP
- One-point or two-point calibration

---

*ELEMENT neutrino analytical meters for measurement of: pH/ORP, conductive conductivity, inductive conductivity*

---



Type 8202 pH/ORP



Type 8222 EC conductive

# ELEMENT analytical meters

## Features

The ELEMENT analytical meters for measuring pH, ORP, conductive or inductive conductivity are available with or without display. They are suitable for applications which require up to 2 analogue outputs (4-20 mA) and up to 2 transistor outputs. They are also suitable for the monitoring of measurements, for equipment diagnostics, convenient parameterisation and calibration.

### Significant characteristics of these transmitters are:

- Illuminated removable graphic display with operation via multifunction key
  - Parameterization for optimizing device operation at the given measurement point
  - Menu guided calibration
  - Display of device diagnostics information
  - Display of measurement values
  - Limit setting for warning and error detection
  - Test functions and simulation of all outputs
  - Process value simulation
  - Selection of digital output functionality: as sink (NPN) or source (PNP)
  - Selection of unit and scale of the analogue outputs
  - Selection whether the analogue output is set to alarm current value in case of a device error
  - Adjustment of analogue output damping
- Second analogue output for temperature
- 3 LEDs for indicating device and DO status
- 2 digital outputs for indicating limit detection or control loop function
- Verification that sensor is functioning correctly
- Storing of the last 10 respectively 20 calibration values for pH or ORP
- Storing of min/max values

The graphic display enables comfortable reading and setting of parameters, which shortens start-up time.



The analytical meter can be operated with and without this display module

ELEMENT analytical meters for measurement of: pH/ORP, conductive conductivity, inductive conductivity



Type 8202 pH/ORP

Type 8222 EC conductive

Type 8228 EC inductive



**bürkert**  
FLUID CONTROL SYSTEMS

**Bürkert Fluid Control Systems**

Christian-Bürkert-Straße 13-17  
74653 Ingelfingen  
Germany

Tel. +49 (0) 7940/10-0  
Fax +49 (0) 7940/10-91 204

info@burkert.com  
www.burkert.com